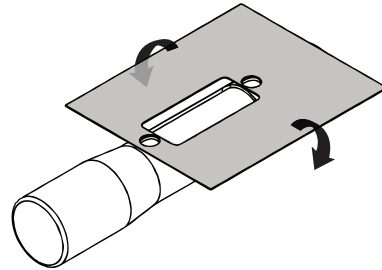
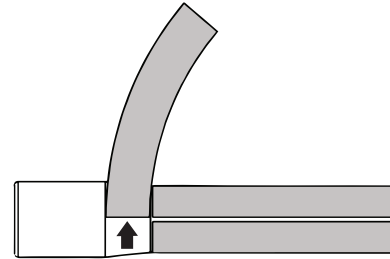


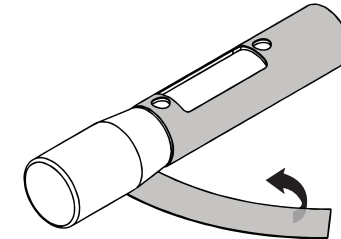
**Step 1:** Line up button and window holes



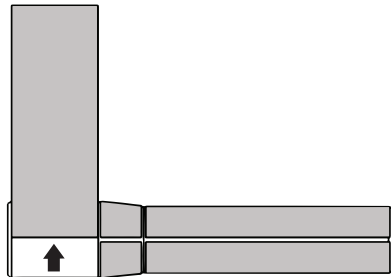
**Step 2:** Gently wrap vinyl around tube without stretching or tearing. (Make sure wrap is straight, not crooked.)



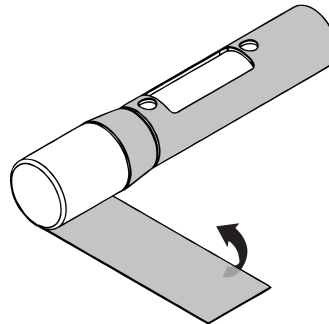
**Step 3:** Line up the 2nd piece of vinyl with where the 1st piece meets on the bottom of the tube. (Leave a gap, the pieces are not meant to line up right next to each other.)



**Step 4:** Gently wrap vinyl around tube without stretching or tearing. (Make sure the wrap is going on straight and not crooked.)



**Step 5:** line up the third piece of vinyl with where the second piece meets on the bottom of the tube. (Leave a gap, the pieces are not meant to line up right next to each other.)



**Step 6:** Gently wrap vinyl around tube without stretching or tearing. (Make sure the wrap is going on straight and not crooked).

