

Fuel Level Sender Instructions

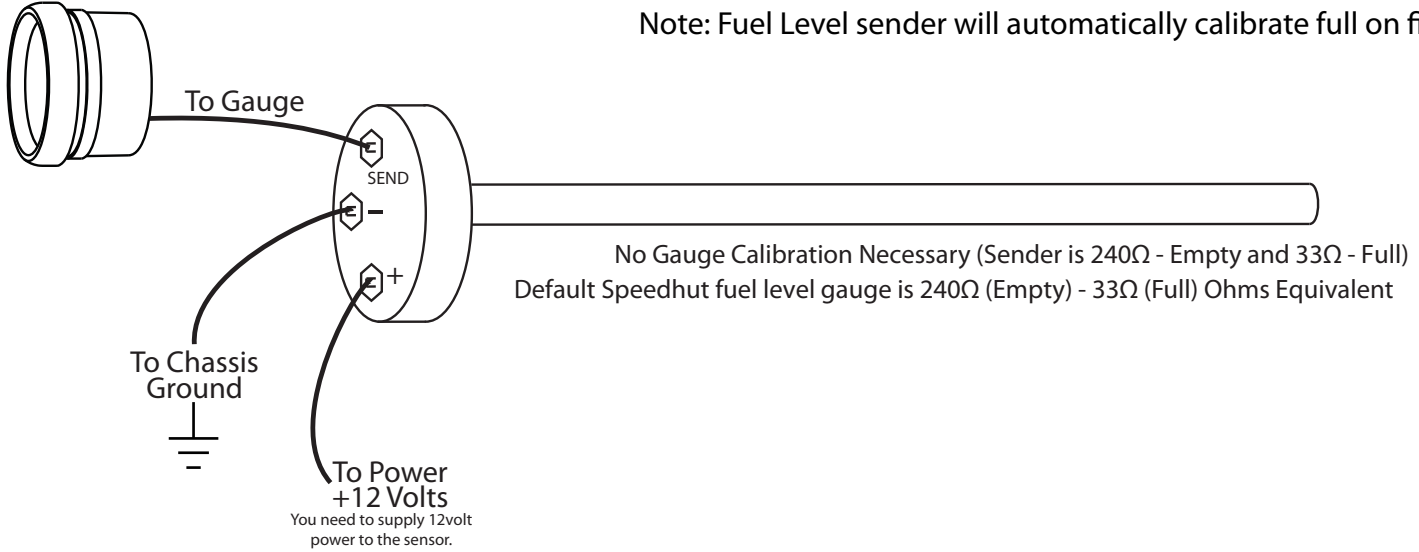


USE WITH GASOLINE OR DIESEL FUEL ONLY.

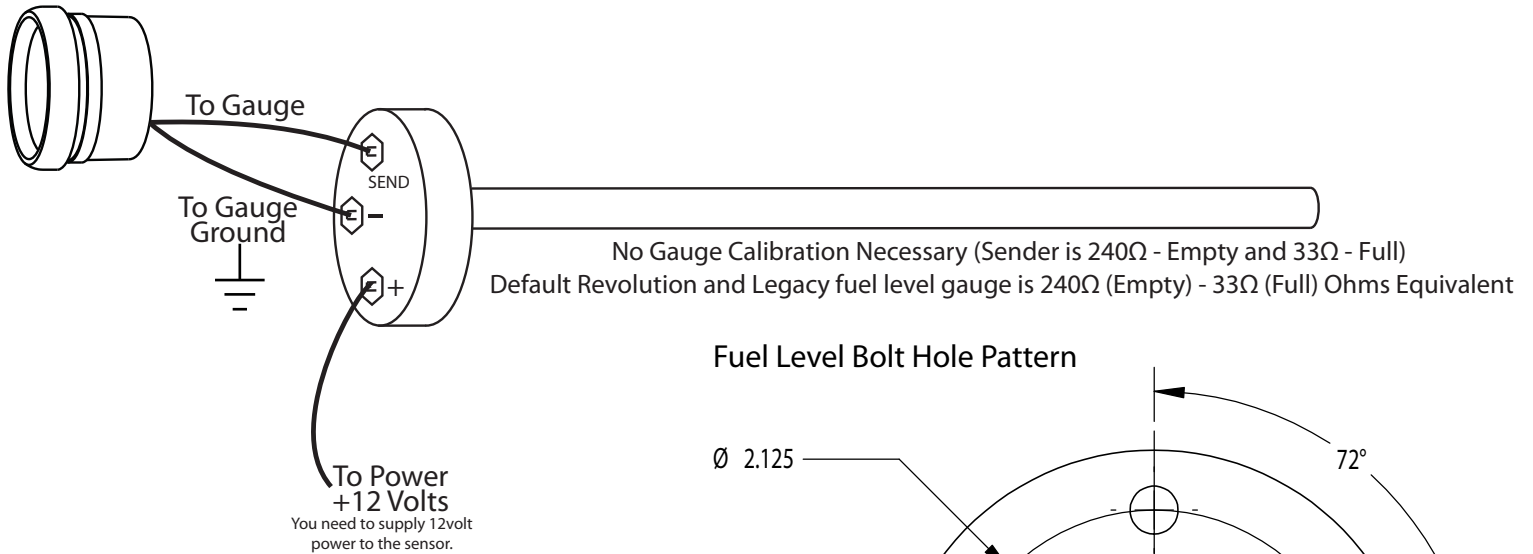
Using the sender unit in water or any other fluid will damage the sender unit!!

For Speedhut gauges with single sensor wire:

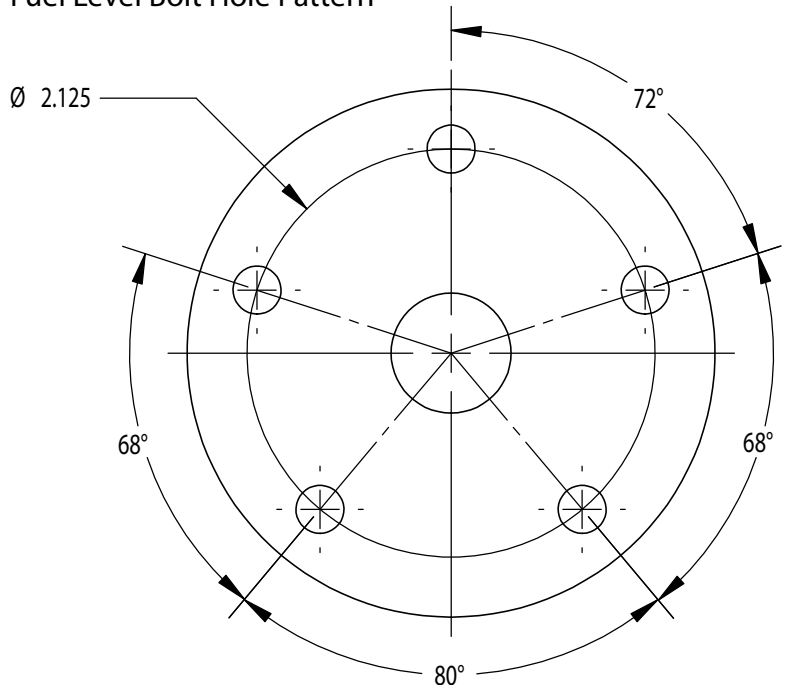
Note: Fuel Level sender will automatically calibrate full on first fill up.*



For Revolution and Legacy gauges with included ground wire in harness:



Fuel Level Bolt Hole Pattern



*Fuel Level Sender Auto Calibration

The Empty setting was calibrated in the factory. If the fuel level sender needs to be shortened then please contact us at tech@speedhut.com or call 801-221-1460.

EMPTY: (If you need to shorten the Sender please call us, we don't want you to ruin your sender.) Connect the empty sender to the vehicle wiring, and turn on the power.

FULL: Turn OFF the power and install the sender into a full tank of the appropriate fuel (gas or diesel). Turn ON the power. This Auto Calibration will detect the Full setting at each fillup.

WARRANTY - Speedhut Inc. warrants to the consumer for a period of 5 years from the date of purchase that this product will be free from defects in materials or workmanship. Speedhut warrants to the consumer for a "LIFE-TIME" that the product circuit board will be free from defects in materials or workmanship. This warranty is limited to the repair or replacement of Speedhut Inc products. Speedhut Inc is not responsible for special, incidental or consequential damages or costs incurred due to the failure of this product. Modification to the product, improper use or installation, accident, water damage, abuse, unauthorized repairs or alterations voids this warranty. Speedhut Inc disclaims any liability for consequential damages due to breach of any written or implied warranty on all products manufactured by Speedhut Inc. Please contact Speedhut Customer Support If you have a problem with this product | support@speedhut.com | 801-221-1460 (9am - 5pm MST)