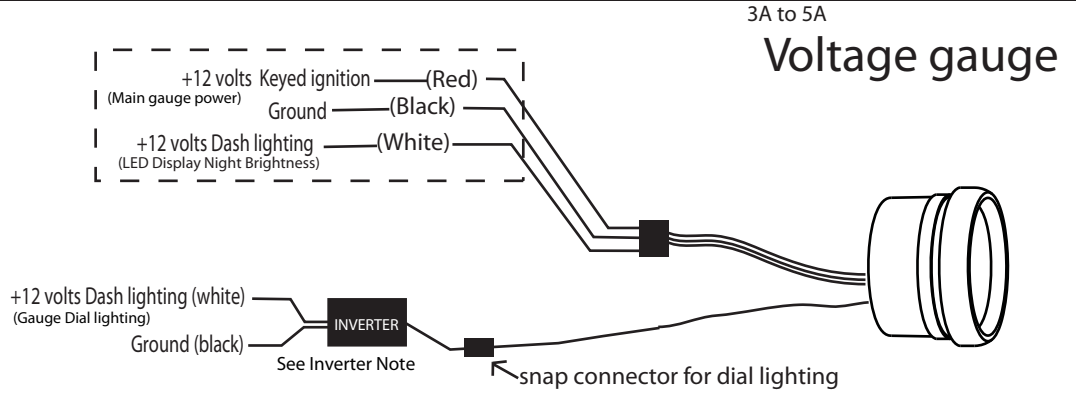


2-1/16" Revolution Digital Gauge Instructions

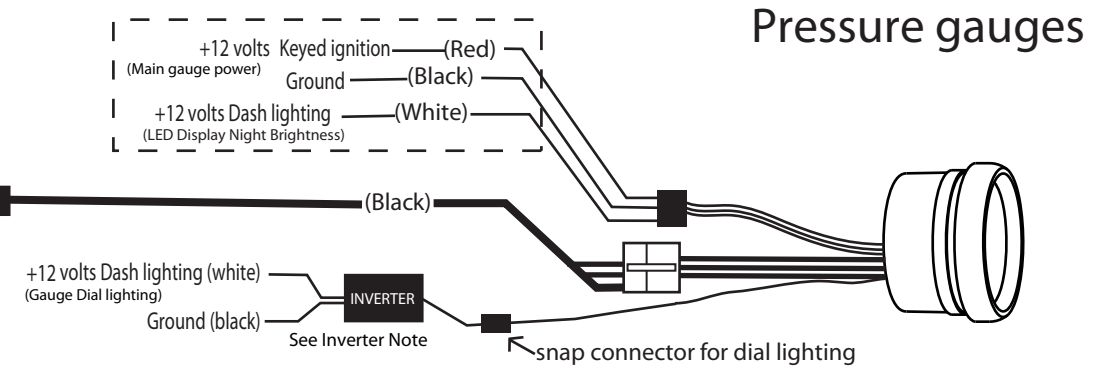
Power Draw = 0.2 Amp
3A to 5A Inline Fuse Recommended
for +12 Keyed Ignition



Power Draw = 0.2 Amp
3A to 5A Inline Fuse Recommended
for +12 Keyed Ignition

Harness Wires:
White wire - Signal
Black wire - Ground
Red wire - 5 volt reference

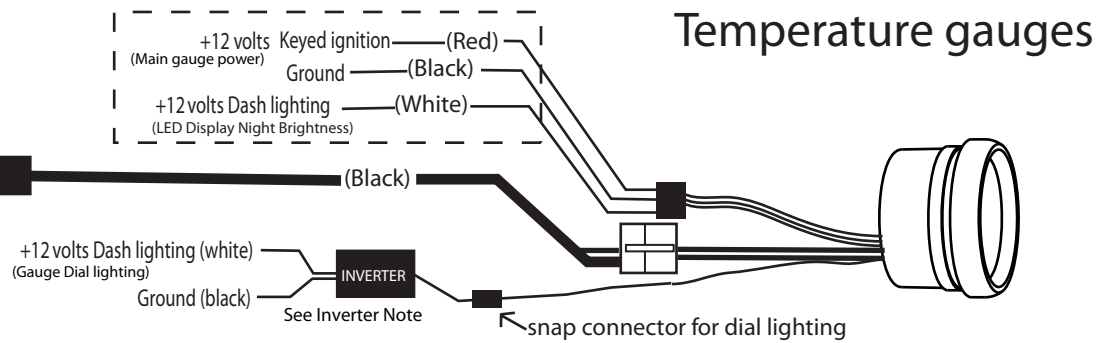
1/8 npt threads



Power Draw = 0.2 Amp
3A to 5A Inline Fuse Recommended
for +12 Keyed Ignition

Harness Wires:
White wire - Signal
Black wire - Ground

Trimable area
DO NOT trim pass the slot.
1/8 npt threads



1. Disconnect negative (-) Battery Cable

2. Connect wiring as above.

3. Mount Gauge for easy viewing. Use spin lock ring (included) to mount to panel. Spin ring threads in both directions. Snap white connector to wire harness.

4. Reconnect negative (-) battery cable.

WARRANTY - Speedhut Inc. warrants to the consumer for a period of 5 years from the date of purchase that this product will be free from defects in materials or workmanship. Speedhut warrants to the consumer for a "LIFE-TIME" that the product circuit board will be free from defects in materials or workmanship. This warranty is limited to the repair or replacement of Speedhut Inc products. Speedhut Inc is not responsible for special, incidental or consequential damages or costs incurred due to the failure of this product. Modification to the product, improper use or installation, accident, water damage, abuse, unauthorized repairs or alterations voids this warranty. Speedhut Inc disclaims any liability for consequential damages due to breach of any written or implied warranty on all products manufactured by Speedhut Inc.

Please contact Speedhut Customer Support if you have a problem with this product | support@speedhut.com | 801-221-1460 (9am - 5pm MST)