

## 2-1/16" and 2-5/8" and EGT/Cylinder Head Temp. Gauge Instructions

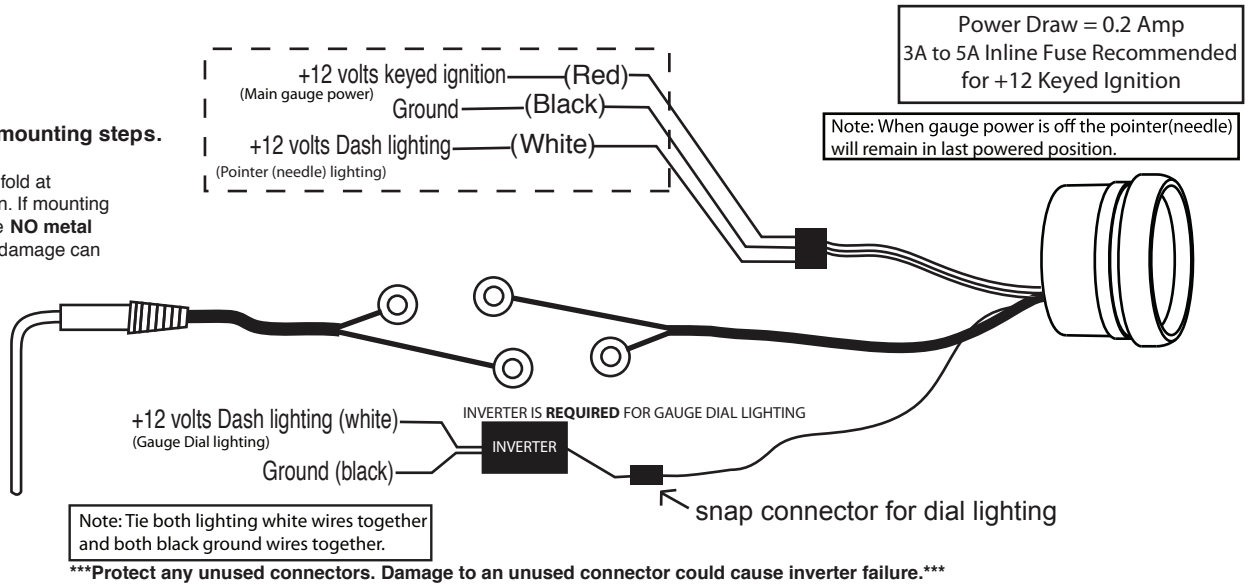
**NOTE:** Both the EGT probe and the CHT probe are **not** able to be modified (either lengthened or shortened) without affecting the calibration and readings on the gauge. If there is excess left after routing the wire, please coil it up and wire tie it loosely under hood.

### Type K thermocouple probe mounting steps.

1. Drill 1/4" hole into exhaust manifold at desired EGT reading temp location. If mounting probe before turbo inlet make sure **NO metal shavings** can enter turbo inlet or damage can occur to turbo.

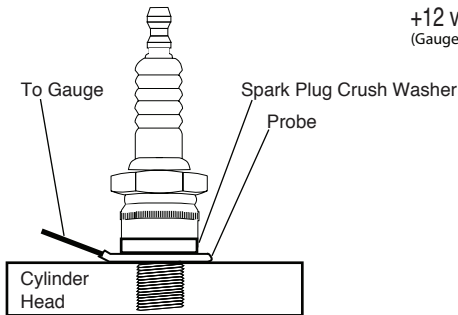
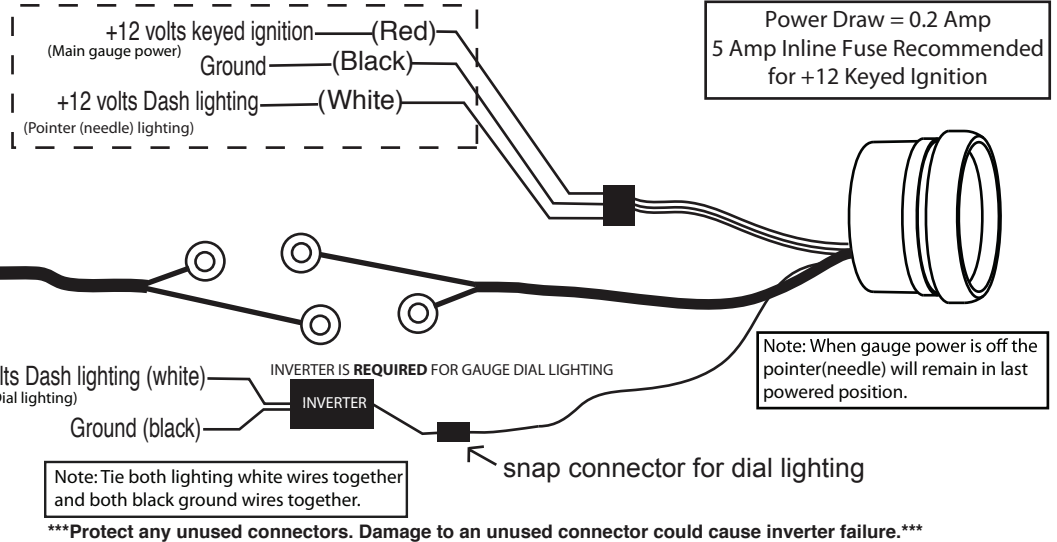
2. Position weld fitting over hole and 360 degree weld around fitting to manifold.

3. Insert probe into manifold through weld fitting and tighten using included compression fitting.



### Cylinder-Head Temp. Probe

1. Remove Spark Plug.
2. Place Probe under spark plug. Make sure probe sits flat on cylinder head. Re- install spark plug.
3. Proper position of probe should not interfere with any other components.
4. Tighten spark plug to manufacturers specifications.



**NOTE:** Both the EGT probe and the CHT probe are **not** able to be modified (either lengthened or shortened) without affecting the calibration and readings on the gauge. If there is excess left after routing the wire, please coil it up and wire tie it loosely under hood.

### Installation procedure

1. Disconnect negative (-) Battery Cable
2. Connect wiring as above.
3. Mount Gauge for easy viewing. Use spin lock ring (included) to mount to panel. Spin ring threads in both directions (depending on your dash panel thickness). Snap Gauge connector to wiring connector
4. Reconnect negative (-) battery cable.

-----Note: For Revolution Series gauges with settable warning light see below-----

**Setting warning LED for both low and high.**

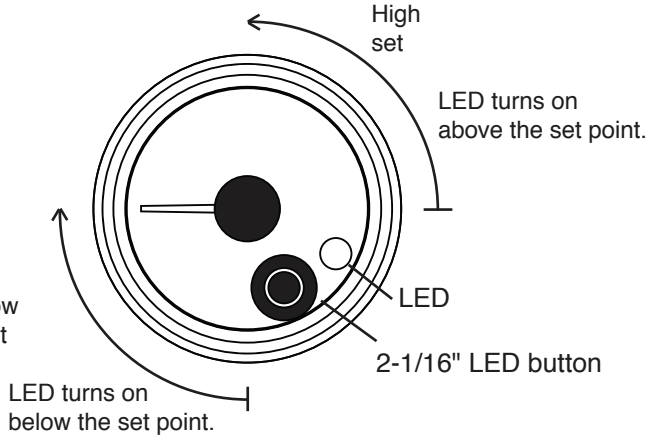
Led can be set to turn on for both a low or high condition, or turned off in either/both case(s).

To reset LED set point at any time follow this procedure again.

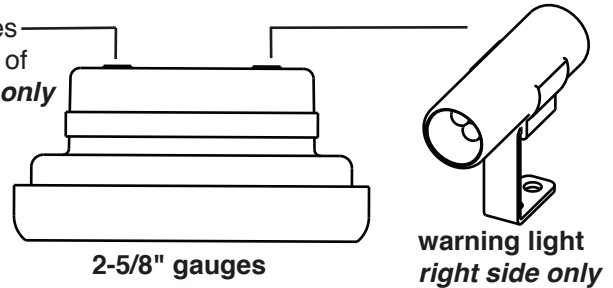
**Note for 2-5/8" gauges plug button in left side back of gauge.**

1. To enter LED calibration mode, Press and hold LED button with gauge power off. Turn on gauge power. Release button.
2. Pointer will slowly scan clockwise from full low condition on dial. Press button at desired low warning set point. LED will blink to indicate low warning has been set. Note: Pressing button at full low (6 o'clock position) on dial will turn off LED warning so that it does not light up.
3. Pointer will now travel to full high condition on dial and slowly scan counterclockwise. Press button at desired set point for high condition. LED will blink to indicate high warning has been set. Note: Pressing button at max high position on dial will turn off high LED warning so that it does not light up.

Note: Setting a low warning will turn on LED when pointer travels below the low set point. Setting a high warning will turn on LED above the high set point.



Note: 2-5/8" gauges plug button in back of gauge on **left side only**



**Setting LED brightness both day and night.**

At any time while gauge is running, press and release LED button to show current LED brightness. After a couple second delay, if button is not pressed this current setting is re-saved. LED will blink to indicate setting has been saved. To change LED brightness press and release the button to advance to next higher brightness level. LED brightness will loop through 5 possible brightness settings including off as you press and release the button. At acceptable brightness level do not press button for couple second delay. LED will blink to indicate setting has been saved. Note: Setting the brightness level when gauge lighting is on, will set the night brightness level. Setting the brightness level when gauge lighting is off will set the day brightness level.

**Peak recall memory (Revolution line only)**

Press and hold gauge button down and gauge needle will move between low and high peak. Gauge will continue toggling between low and high peaks as long as button is pressed.

Note: low peak becomes active once gauge needle travels up at least 1/8 scale initially. Once this condition occurs low peak becomes active and will record the lowest reading the gauge achieves.

**To retain peak reading (NOT CLEAR IT)**

While showing peak reading, release button, wait 5 seconds, gauge will return to normal and retain the peak reading.

**To clear peak reading**

While showing peak reading, release button, and immediately press and release again within 5 seconds. LED will flash 2 times and pointer will travel to zero to indicate peak has been cleared

<b>Dual Peak Feature</b>
Boost
Pressure
Air Fuel

<b>Max Peak Feature</b>
Temperature
EGT
Voltage

<b>NO Peak Features</b>
Fuel level
Vacuum