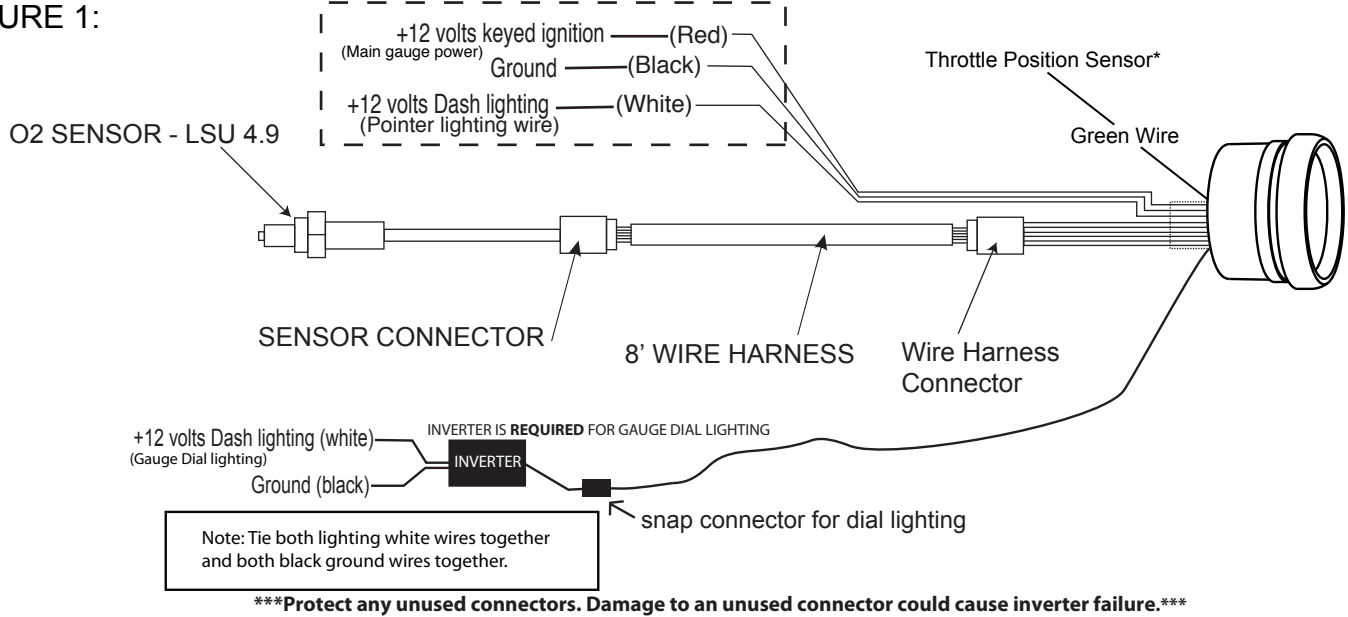


Gauge Notes:

- Variable Power Draw is 100mA to 3A, 3A to 5A Inline Fuse Recommended for +12 Keyed Ignition.
 - 100mA -- During normal gauge/vehicle operation
 - 3A -- Maximum current draw during initial O2 heating cycle
- 3A to 5A Inline Fuse Recommended for +12 Keyed Ignition.
- When gauge power is off the pointer(needle) will remain in last powered position.
- Gauge requires 13V before it will start warming the O2 Sensor.

FIGURE 1:

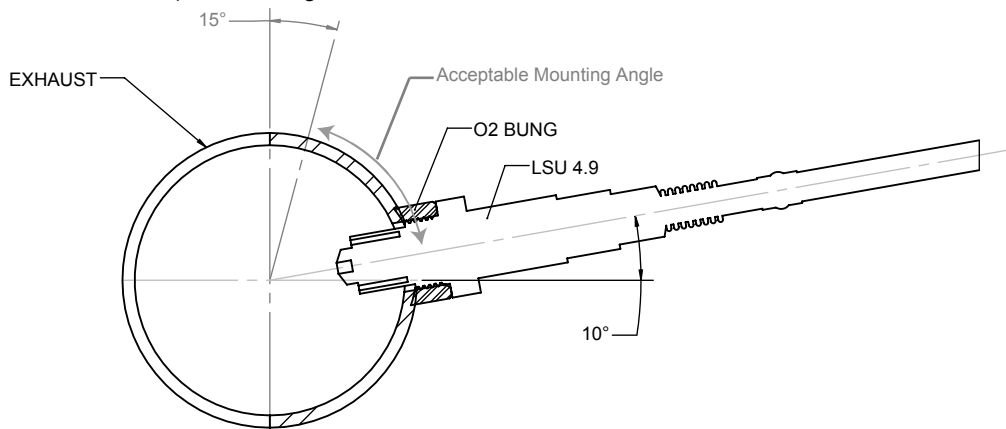


*Throttle Position Sensor (TPS) Note: Your wide band gauge can be hooked up to the TPS sensor via the green gauge wire. This feature is used if you would like to ONLY have the warning light come on when in full throttle condition. In all other partial throttle conditions, *if this wire is attached to the TPS sensor*, the warning light will NOT turn on.

Mounting the O2 Sensor -LSU 4.9:

Figure 2 shows the range of acceptable O2 sensor mounting positions. A vertical position can get too hot in confined spaces. A horizontal position can cause condensation to drip onto the sensor. It is recommended the sensor be installed between 15 degrees from the vertical, and 10 degrees from the horizontal. In all cases the sensor should be perpendicular to the gas flow, i.e. the bung should sit square over the pipe - this ensures adequate (but not an excessive) amount of gas enters the sensor.

FIGURE 2:



It is recommended to install the O2 sensor no farther than 1 meter (40") from the closest exhaust valve.

Installation Procedure

1. Disconnect the negative (-) battery cable from the vehicle battery.
2. Mount the Gauge in desired location. Use the included "Spin Lock Ring" to mount to dash panel. Connect the wiring harness to the gauge.
3. Connect Power distribution wires to gauge. Install O2 sensor. Connect wires or harnesses as shown in Figures 1 and 2.
NOTE: Power needs to be hooked up to switched source not common with other accessories.
4. Reconnect the negative (-) battery cable to the vehicle battery.

Setting LED Warning Zones (for Gauges with a settable warning light ONLY)

The LED can be set to turn on for both a rich or lean warning condition (available on select gauges), or turned off in either/both case(s).

Factory Default: The warning light default state is off.

Note for 2-5/8" gauges plug button in left side back of gauge.

1. To enter LED warning zone set mode, press and hold gauge button with gauge power off. Turn on gauge power. Once the LED turns on, release button.

2. Pointer will slowly scan clockwise from a full rich condition on the dial. Press button at desired rich set point. LED will blink to indicate the rich warning zone has been set. Note: Pressing button at full low (6 o'clock position) on dial will disable the rich LED warning zone.

3. Pointer will now travel to full lean condition on dial, and slowly scan counterclockwise. Press button at desired lean set point. LED will blink to indicate the lean warning zone has been set.

Note: Pressing button at full lean position on dial will disable the lean LED warning zone.

Note: Setting a rich warning zone will turn on LED when pointer travels below the rich set point. Setting a lean warning zone will turn on LED above the lean set point.

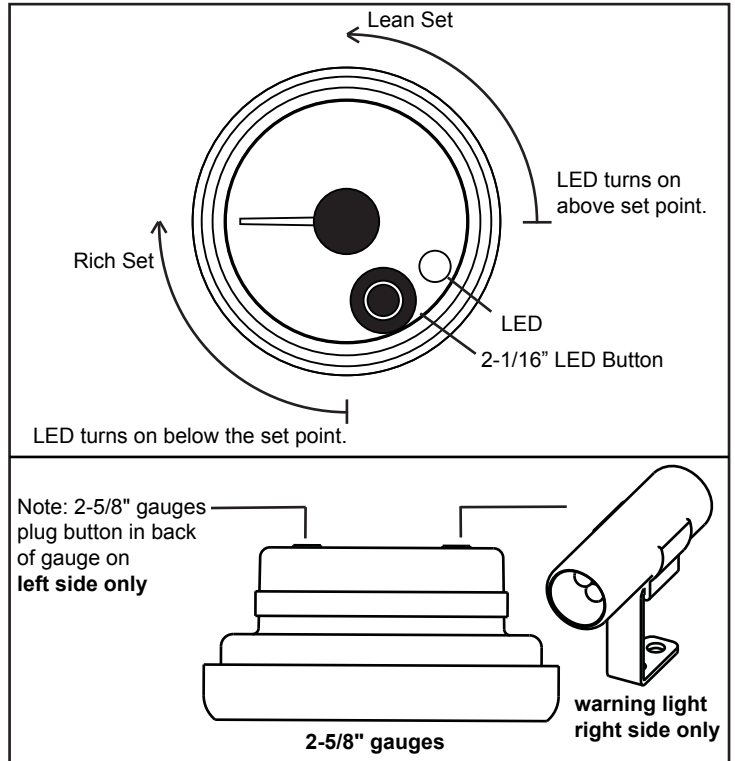
To reset LED warning zone at any time, follow this procedure again.

Setting LED Brightness for Both Day and Night.

At any time while gauge is powered, press and release gauge button to show current LED brightness. After a three second delay, if button is not pressed the current setting is re-saved. LED will blink to indicate setting has been saved.

To change LED brightness, press and release the button to advance to next higher brightness level. LED brightness will loop through 5 possible brightness settings including off as you press and release the button. At acceptable brightness level do not press button. After three seconds, LED will blink to indicate setting has been saved.

Note: Setting the brightness level when gauge lighting is on, will set the night brightness level. Setting the brightness level when gauge lighting is off will set the day brightness level.



Maximum Lean Recall (For gauges with a Programming Button ONLY)

Press and hold gauge button down for two seconds. The gauge needle will point to the maximum lean value the gauge has seen. Gauge will continue to point to this value as long as the button is pressed.

To Retain Maximum Lean Reading

While showing maximum reading, release button, wait 5 seconds, gauge will return to normal and retain the maximum lean reading.

To Clear Maximum Lean Reading

While showing maximum lean reading, release button, and immediately press and release again within 5 seconds. LED will flash 2 times and pointer will travel to full rich to indicate value has been cleared.